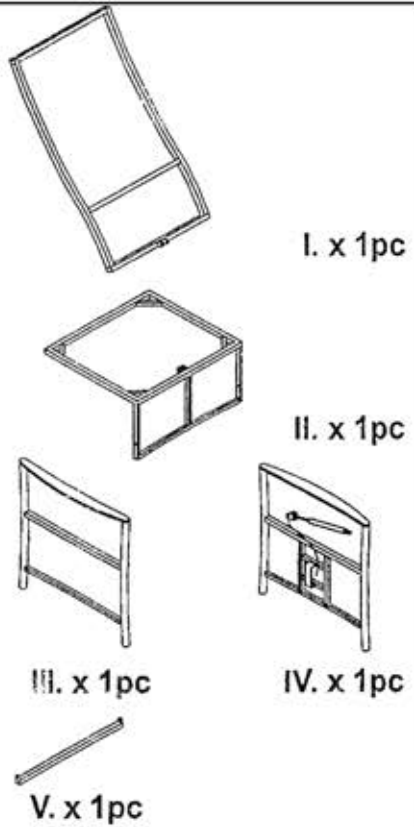
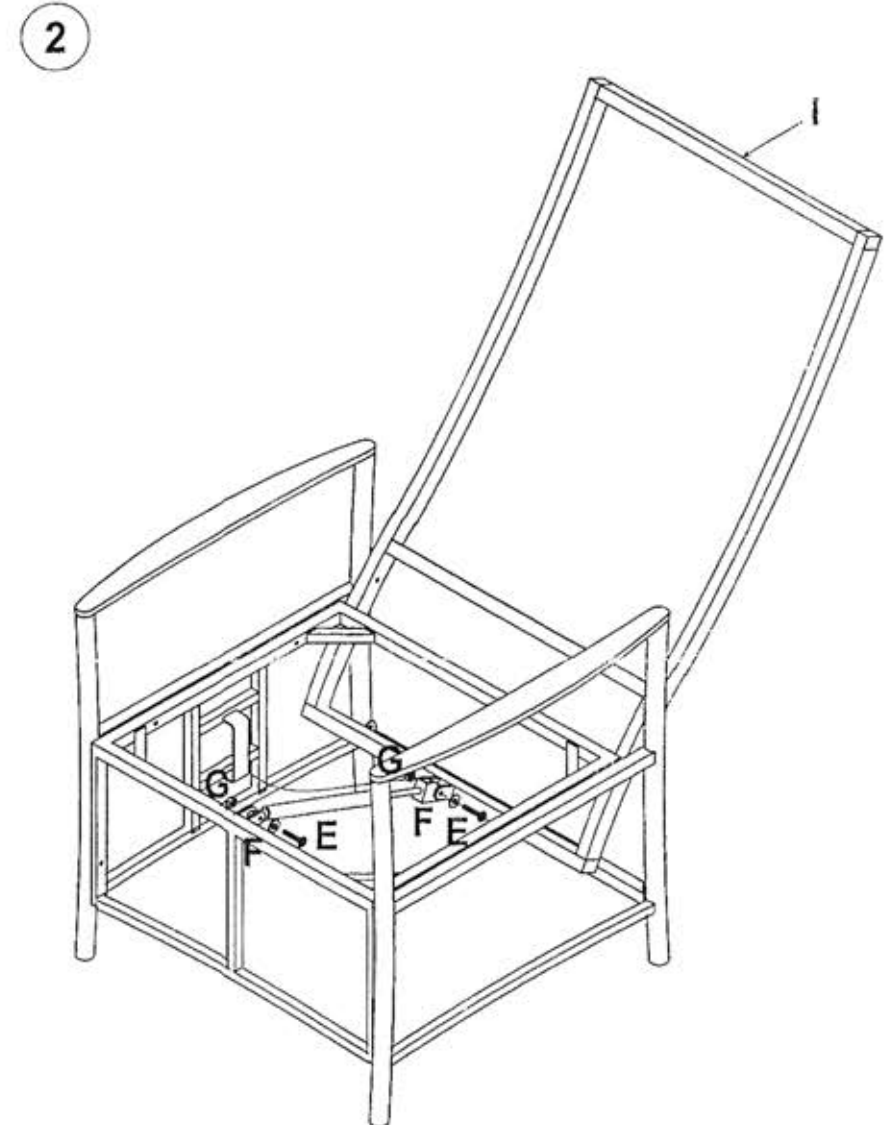
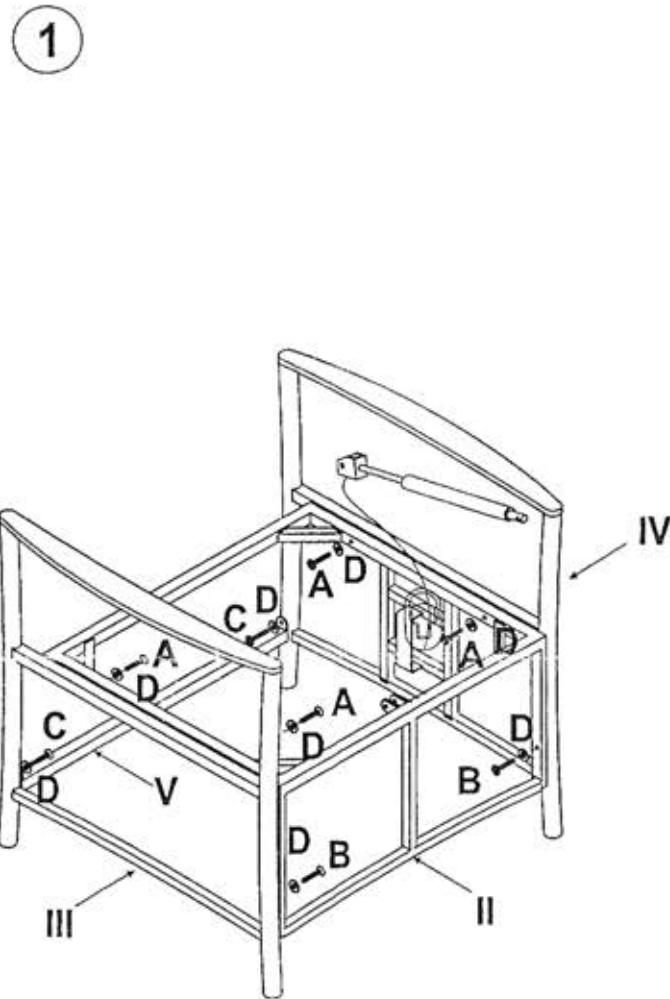


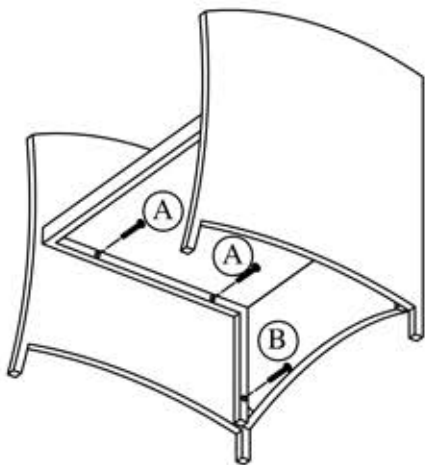
# Assembly instructions



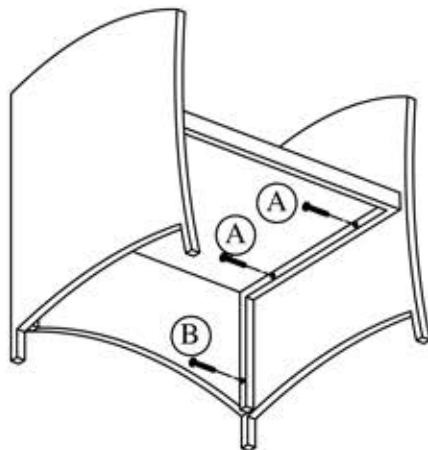
A		6x40	4pcs
B		6x25	2pcs
C		6x15	2pcs
D		16x6x1	8pcs
E		8x35	2pcs
F		20x8x2	2pcs
G		M8	2pcs
			2pcs
		M13	1pc
			2pcs



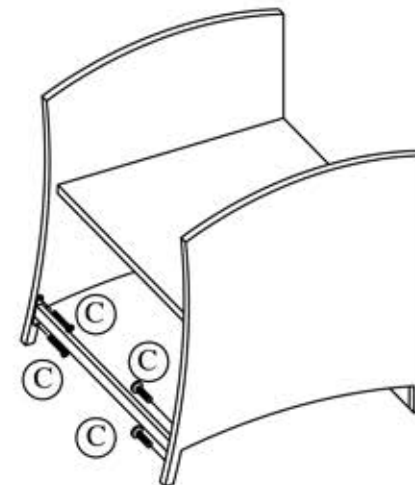
1



2

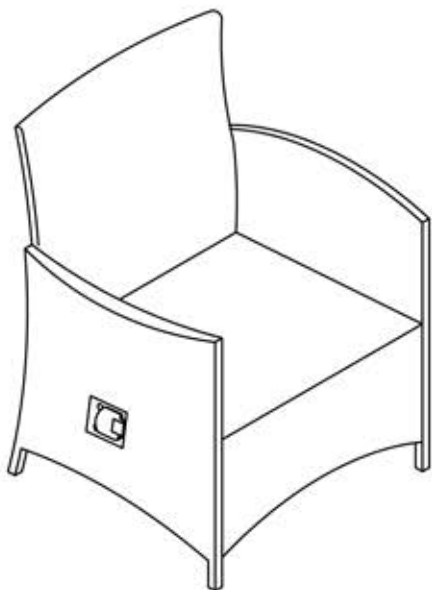


3

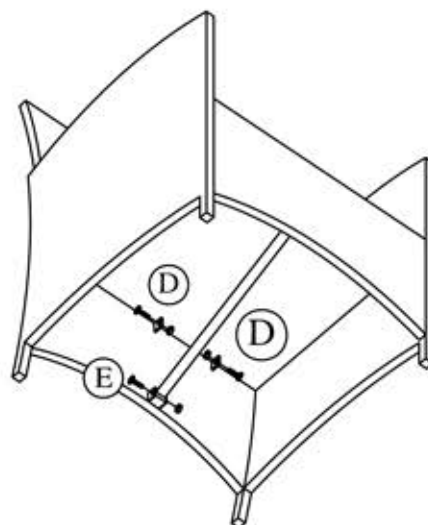


A	$\phi 6 \times 60 \text{mm}$	4 pcs
B	$\phi 6 \times 30 \text{mm}$	2 pcs
C	$\phi 6 \times 20 \text{mm}$	4 pcs
D	$\phi 8 \times 20 \text{mm}$	1 pc
E	$\phi 8 \times 80 \text{mm}$	1 pc
F		1 pc

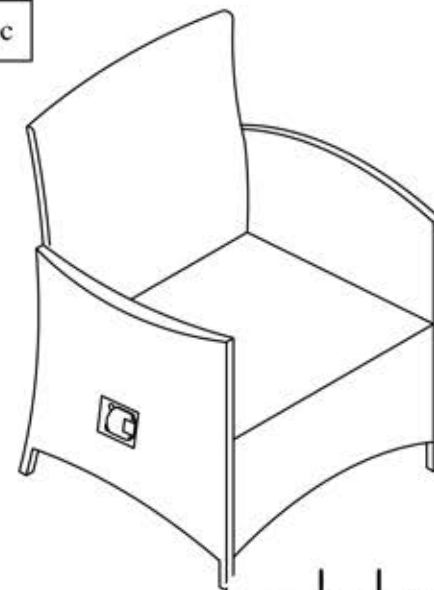
4



4

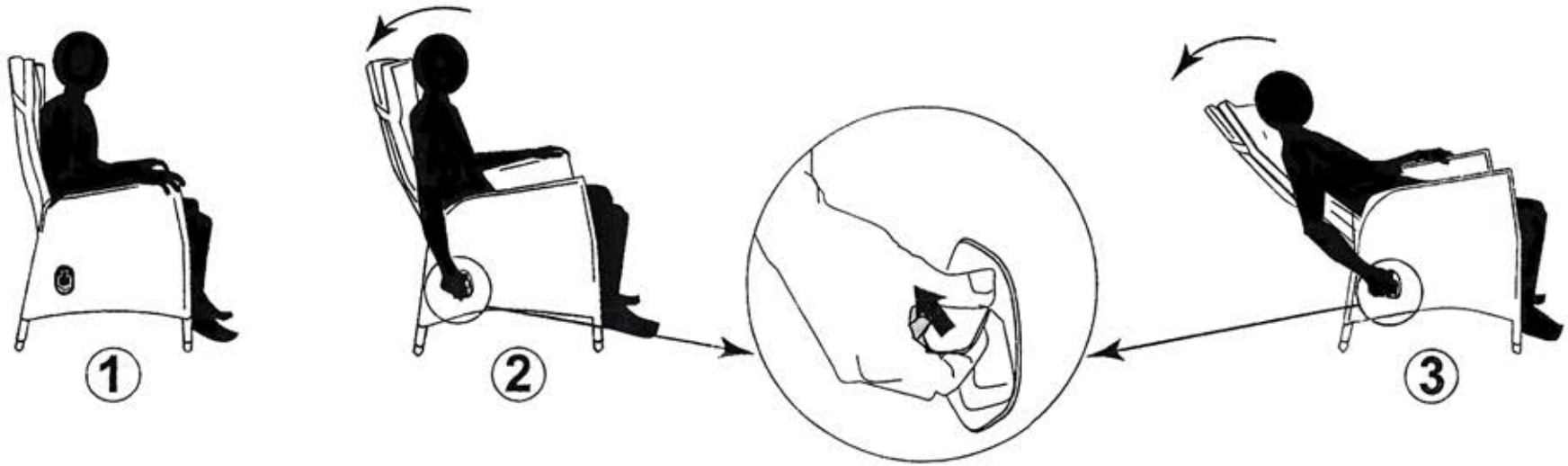


5



# Assembly instructions

1



2

